

EyeSpecial C-V

The dental camera – now with Wi-Fi



More speed – more precision – more versatility

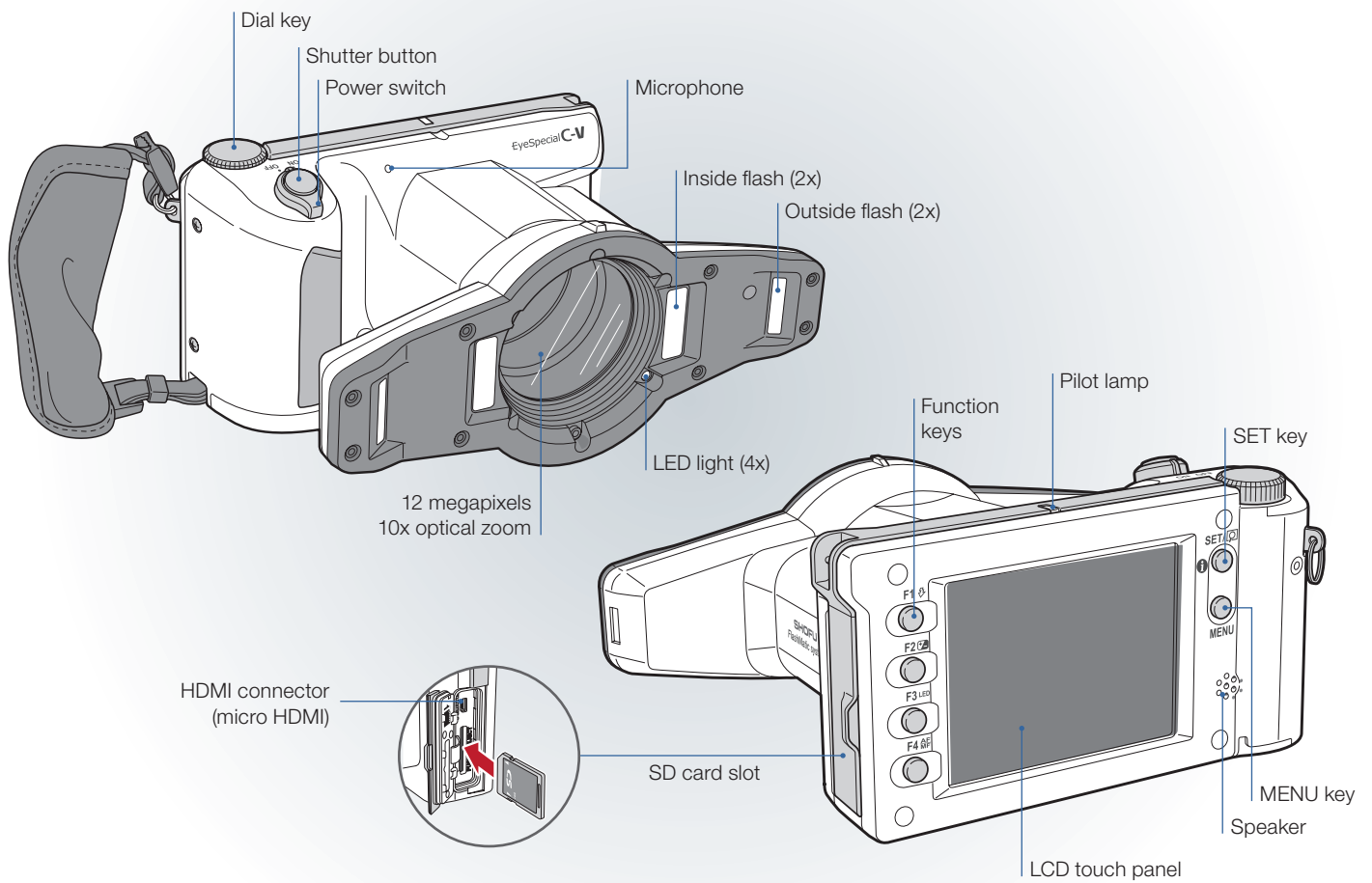
With its smart special features, the SHOFU EyeSpecial dental camera has become well-established in dental practices and laboratories for creating professional photo documentations. It is easy to operate, reproducibly takes good images, and its use can be delegated to your assistants without cost and time-intensive training.

The fifth generation of this lightweight and now even more compact camera is equipped with a Wi-Fi function, allowing you to save data directly to your computer. The video feature has also been expanded; now it permanently adjusts the sharpness of the recording with continuous autofocus. Just concentrate on subject and shutter – everything else will be done by the camera.



The EyeSpecial C-V has built-in photographic expertise. It relieves users of their worries about ring flash, lateral flash, aperture or depth of field. This camera enables you to easily take informative patient images, and every photo will be a good photo: high in contrast, razor-sharp and true to colour.

- Fast, intuitive menu navigation
- Brilliant display
- Nine shooting modes
- Video feature
- Wi-Fi function for image transfer
- Automatic flash control
- Optional attachable cross polarizer
- QR code features



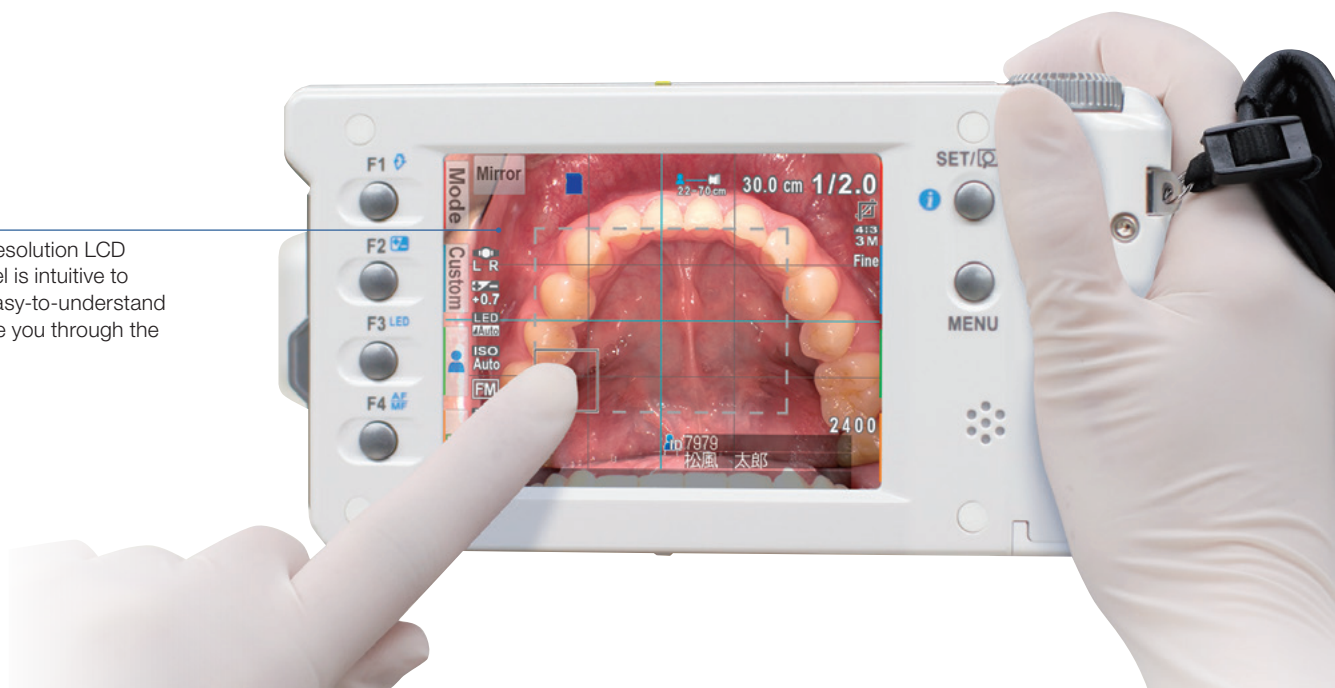
The handy and compact "all-in-one" camera

This ultralight high-performance camera can easily be held with one hand, freeing the other to hold a cheek retractor or a mirror. It does not require any "heavyweight" accessories, like external flashes or interchangeable lenses. Equipped with everything you need, the EyeSpecial C-V allows you to take informative and professional dental photographs.

Intuitive menu navigation on the touchscreen

Thanks to the high-resolution 3.5" (8.89 cm) LCD touch panel, you can intuitively operate your camera. Immediately assess the image data on the display. Edit images using the desired options. Archive the data with one finger movement. Easy-to-understand icons help you to easily and quickly perform the respective actions.

The high-resolution LCD touch panel is intuitive to operate; easy-to-understand icons guide you through the menus.



Shooting modes



Standard

Standard intraoral photography with true-colour optimisation



Surgery

Intraoral photography from a greater distance



Mirror

Intraoral photography using a dental mirror. The image can be reversed afterwards.



Face

Facial photographs, half-body or full-body portraits



Nine preset shooting modes ensure ease and reliability of use.



Movie

Permanent autofocus during filming enables consistently sharp videos



Low Glare

Photographing details of anterior teeth, working models or indirect restorations outside the patient's mouth



Whitening

Comparison of tooth shades before and after whitening/bleaching



Tele macro

Detailed close-ups of anterior teeth with the close-up lens attached



Isolate Shade

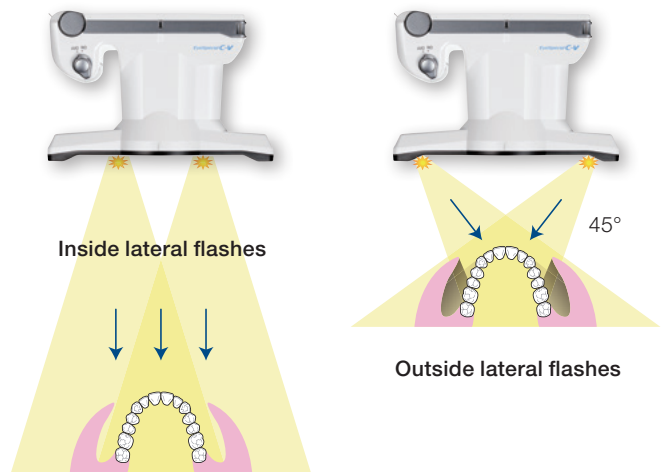
Automatic isolation of the gingival shade for optimal shade taking

Optimally illuminated – sharp in every detail

The integrated autofocus system and the shooting modes presented on the left guarantee precise and detailed photographs in any situation, with maximal depth of field across the entire dental arch – and help to minimise errors!



The depth of field is specifically designed for the focal range of dental photographs, ensuring high-contrast intraoral images of outstanding quality.



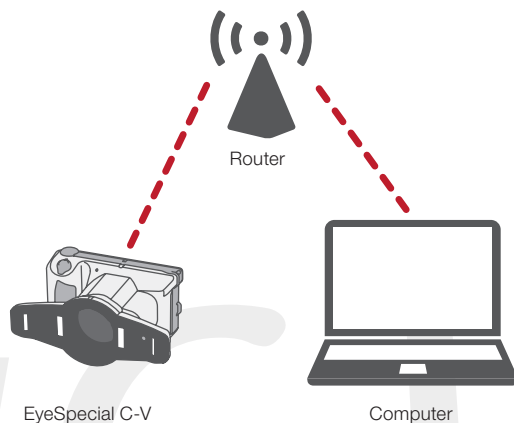
Four flashes – Two lighting modes

The intelligent FlashMatic system provides the right light. It automatically adjusts flash duration and intensity, creating controlled conditions for optimal exposure and true-colour images irrespective of ambient light conditions.

The combination of lateral flashes perfectly lights the oral situation and minimises reflections on the tooth surfaces.

Transferring images to your computer via Wi-Fi

Using the Wi-Fi function of the EyeSpecial C-V, you can now automatically transfer your images to a computer and file them with the SHOFU image sorting software "SureFile". Simply establish a WLAN connection via your router.



Exemplary hygiene



The completely smooth body of the EyeSpecial C-V is water and chemical-resistant and can be quickly and thoroughly disinfected with ethanol sprays and wipes. This optimally prepares the camera for use in your practice in accordance with current hygiene guidelines.

Practical accessories

Close-up lens for more detail

The EyeSpecial C-V features an optical zoom for magnification rates of up to 1.4:1. If you wish to capture more detail, you can use the tele macro mode in combination with the high-quality close-up lens by Kenko for magnification rates of up to 2:1.

Simply screw the close-up lens onto the camera lens clockwise, confirm in the menu, and take excellent images of the smallest anatomical details. In addition to the tele macro mode, the close-up lens is also needed when using the optional cross polarizer.



Glare-free to show more of the tooth – with the cross polarizer

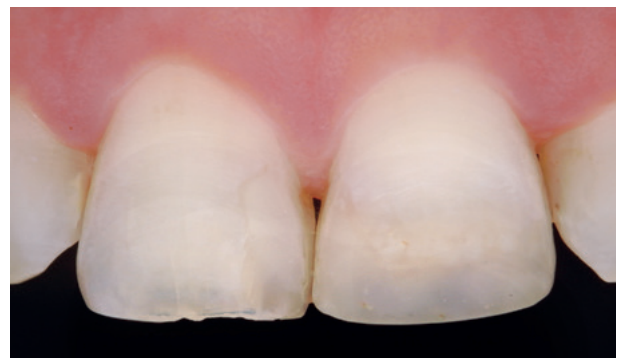


With the cross polarizer attached, the EyeSpecial C-V allows you to look inside a tooth: Chroma, internal light effects and individual tooth characteristics are visualised without being distorted by light reflections occurring on the enamel surface. Shade and colour effects of hard and soft tissues can also be assessed more accurately when using the cross polarizer.

The cross polarizer is designed in such a way that the polarizing components are positioned at right angles to the flash and lens part, eliminating any reflections on the tooth surface.



Without cross polarizer



With cross polarizer

Specifications

Sensor

Type	Primary colour filter, CMOS sensor
Size	1/2.3 inch
Total pixels	Approx. 12 million (4,163 x 3,062)
Effective pixels	Approx. 12 million (4,000 x 3,000)
Sensitivity	ISO 100 to 3,200

Lens

Focal length (35 mm equivalent)	50 - 217 mm (total 8 focal lengths)
Maximum aperture	Wide: 4.6 - 5.3 Tele: 6.5 - 7.5
Zooming method	Optical and digital zoom
Digital zoom	10 steps from x1.05 to x2
Optical filter	IR cut filter

Autofocus

Method	Contrast autofocus
AF area	Center-weighted / spot
Focus mode	Photo: Single shot autofocus and manual focus by adjusting the distance Movie: Continuous autofocus
AF assist light	4 white LED lights

Automatic Exposure (AE)

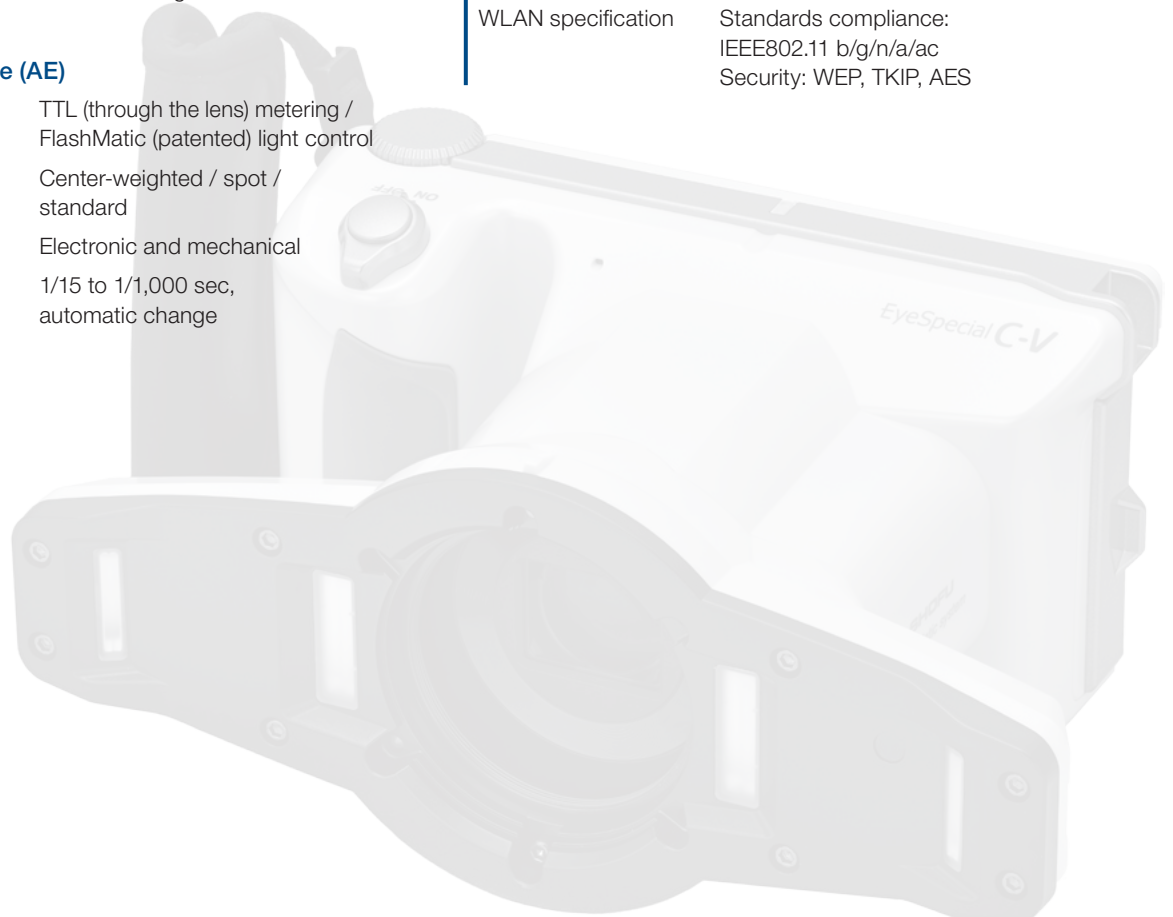
Method	TTL (through the lens) metering / FlashMatic (patented) light control
AE area	Center-weighted / spot / standard
Shutter release	Electronic and mechanical
Shutter speed	1/15 to 1/1,000 sec, automatic change

Image storage

Storage media	SD/SDHC/SDXC card (max. 512 GB)
File format	JPEG / MOV (with patient information file (.MIF))
SD card record format	DCF (standard / date)
Photo size (JPG)	Aspect ratio 4:3 12M / 8M / 5M / 3M / 2M / VGA Aspect ratio 3:2 10.6M / 8M / 4M / 3M
Movie size (MOV)	HD (1,280x720), 59.94 fps
Image quality	Extra fine / fine / standard
Information imprinting	Date and time + shooting conditions + patient information

Camera

Power supply	4 alkaline AA batteries / 4 rechargeable nickel metal hydride batteries (NiMH)
External power supply	None
Power save function	Off / 1 / 2 / 3 / 5 min
Dimensions	W 176 x H 80 x D 115 mm (without accessories)
Weight	Approx. 540 g (without accessories)
Water resistance	Complying with IPX4
Chemical resistance	Ethanol disinfection
WLAN specification	Standards compliance: IEEE802.11 b/g/n/a/ac Security: WEP, TKIP, AES



Order information



- Camera EyeSpecial C-V
- Close-up lens (49 mm) from Kenko
- Lens cap
- Hand strap
- 16 GB SDHC memory card
- SHOFU gray card
- User manual
- Quick reference
- Important safety instructions

PN E0027



PN E0027NK

PN	Product
E0027	EyeSpecial C-V incl. accessories
E0022	Cross Polarizer
E0002	Hand strap
E0004	SHOFU gray card
E0005	Lens cap
E0027NK	Case for EyeSpecial C-V



SHOFU INC. 11 Kamitakamatsu-cho, Fukuine, Higashiyama-ku, Kyoto 605-0983, Japan
SHOFU DENTAL GmbH An der Pönt 70, 40885 Ratingen, Germany, www.shofu.de

SHOFU is a registered trademark of SHOFU INC. All other trademarks and registered trademarks are the property of their respective holders. SHOFU INC. reserves the right to change specifications without notice.